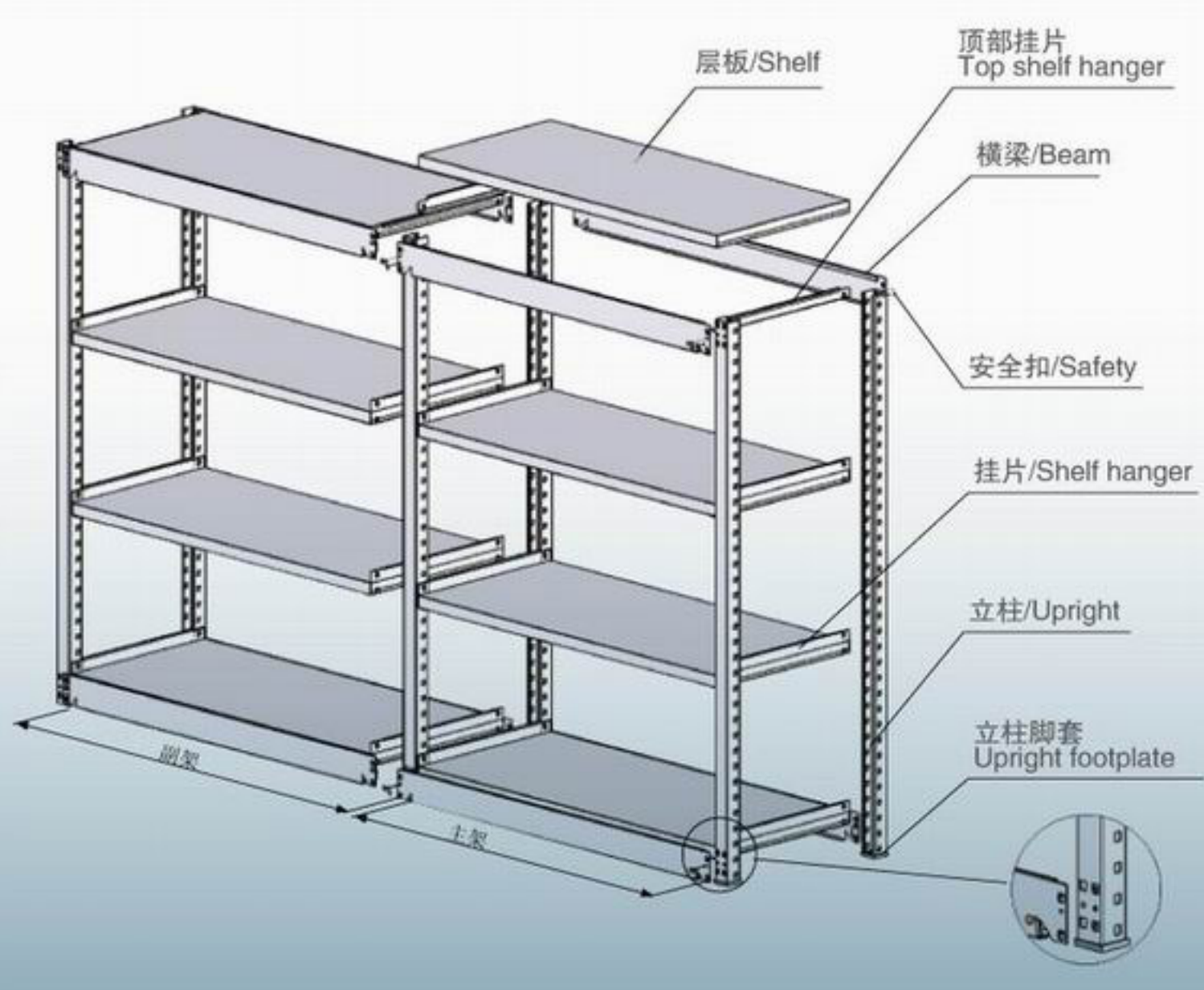


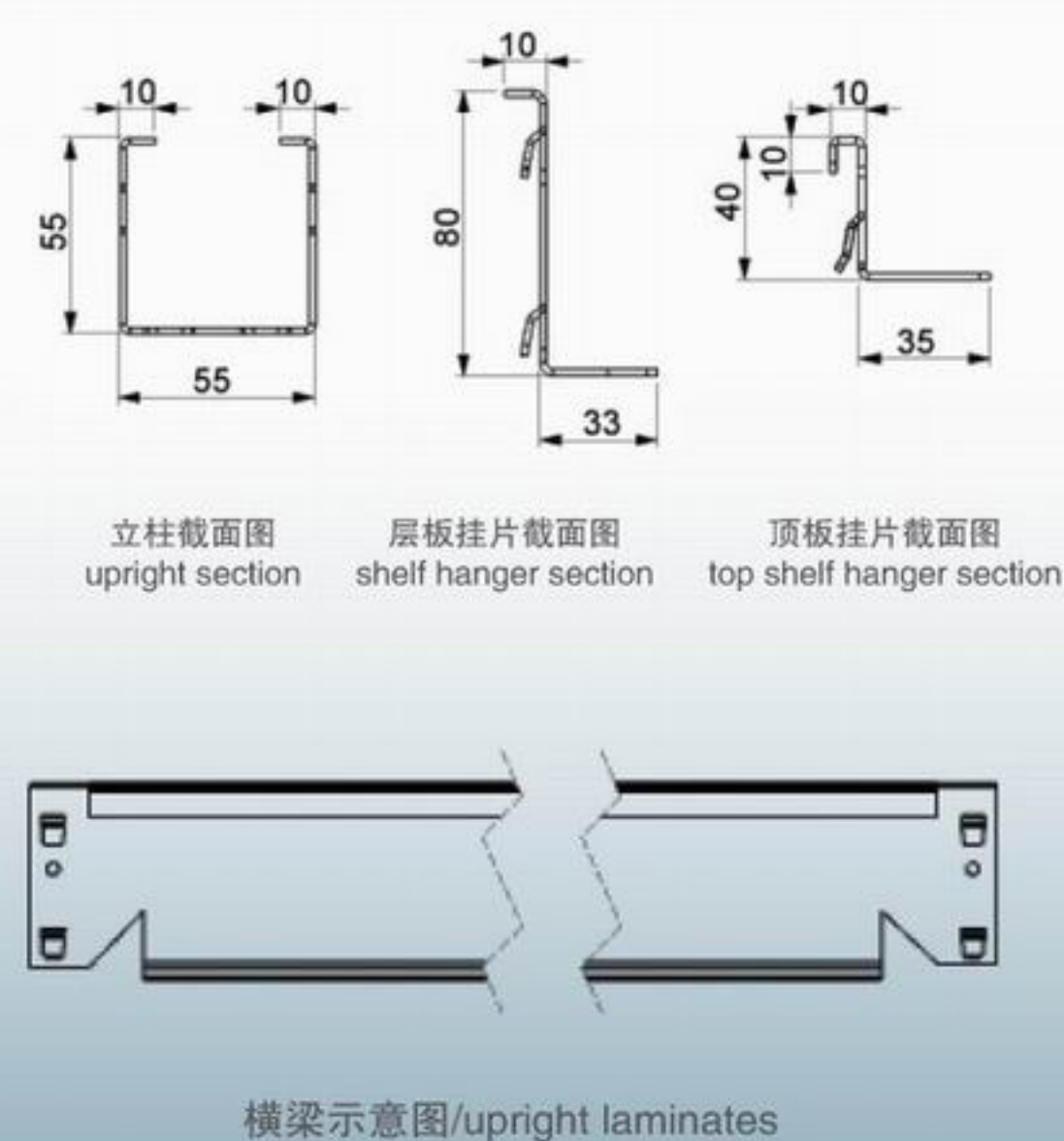
中A型货架 A middle racking



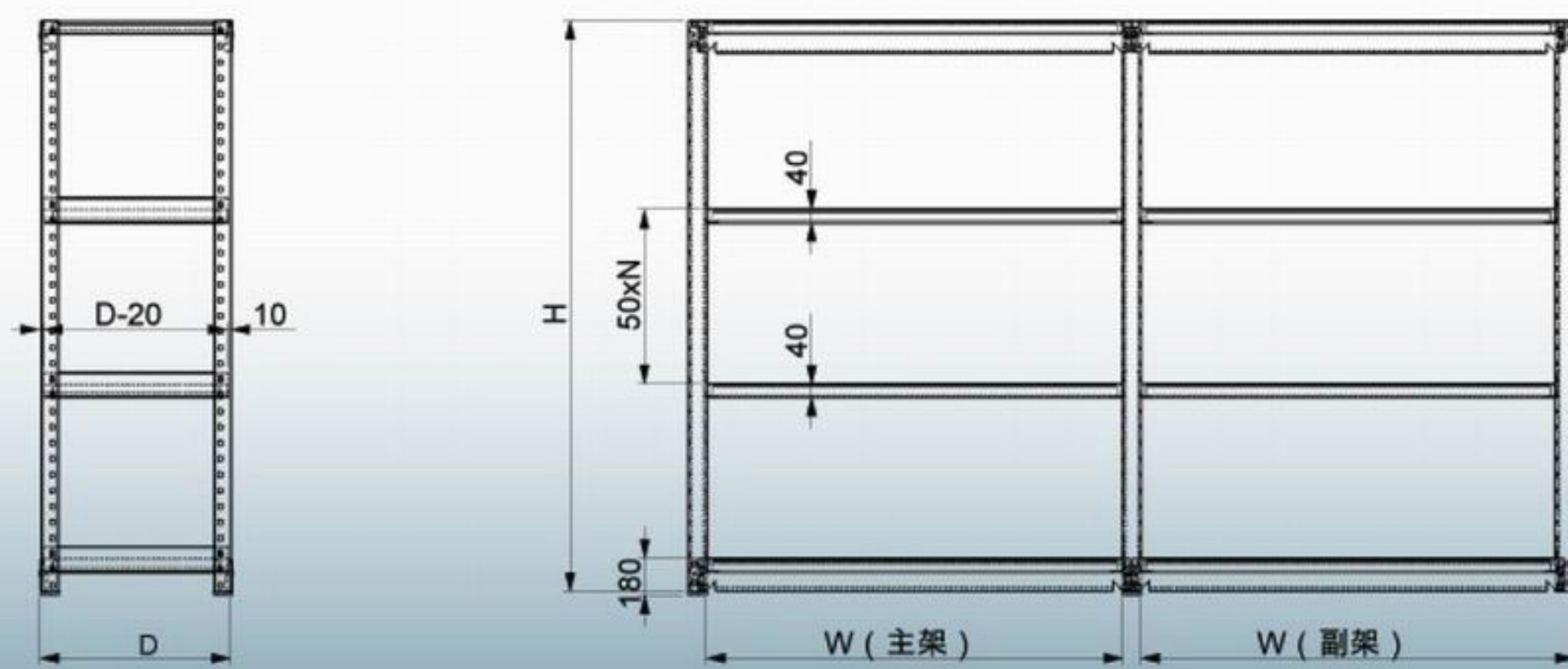
结构图/Frame Chart



截面图/Section Chart



尺寸图/Size Chart



B type medium-duty shelving 中B型货架

菱形孔

采用柱片与横梁挂接的结构，均为插接组合式，横梁以50mm节距调节层高，适合于承载量大且单元货架较长的情况，通常每层承载为300-800kg，可选用钢板、刨花板、中纤板、原木板等为层板。

Diamond-shaped holes

The structure is inserting connected by frame and beam. The beam can be adjusted by 50mm distance, This shelving B is suit for large loading and big unit. Load capacity per level can reach 300~800Kg. The layer can be used by steel, paring, fiber, or wood.

